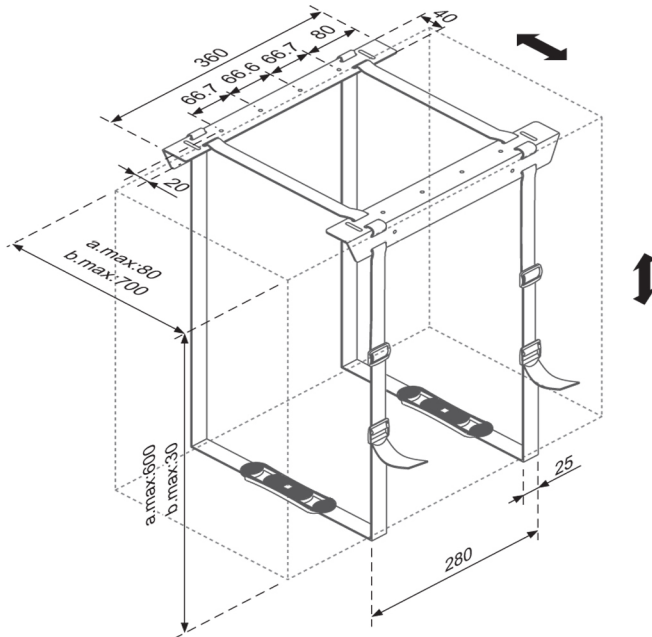


# TECHNICAL SPECIFICATION

## PRODUCT CODE: CS21

- Weight Capacity is 20kg
- Straps accommodate a variety of CPU sizes:
  - a. CPU maximum width of 80mm, maximum height 600mm
  - b. CPU maximum width of 700mm, maximum height 30mm
- Includes four rubber pads for CPU protection as well as two anti-skid straps
- Made of sturdy steel and coated with classic black wrinkle finishing



- Straps accommodate a variety of CPU sizes:
  - a. CPU maximum width of 80 mm maximum height at 600 mm.
  - b. CPU maximum width at 700 mm maximum height at 30 mm.



### ACCESSORIES



POWER



ELECTRIC SIT2STAND



MONITOR ARM



QUICKSHIFT DESK

# incorporate

[www.incorporatespace.com.au](http://www.incorporatespace.com.au)