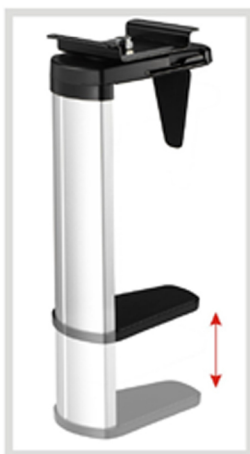
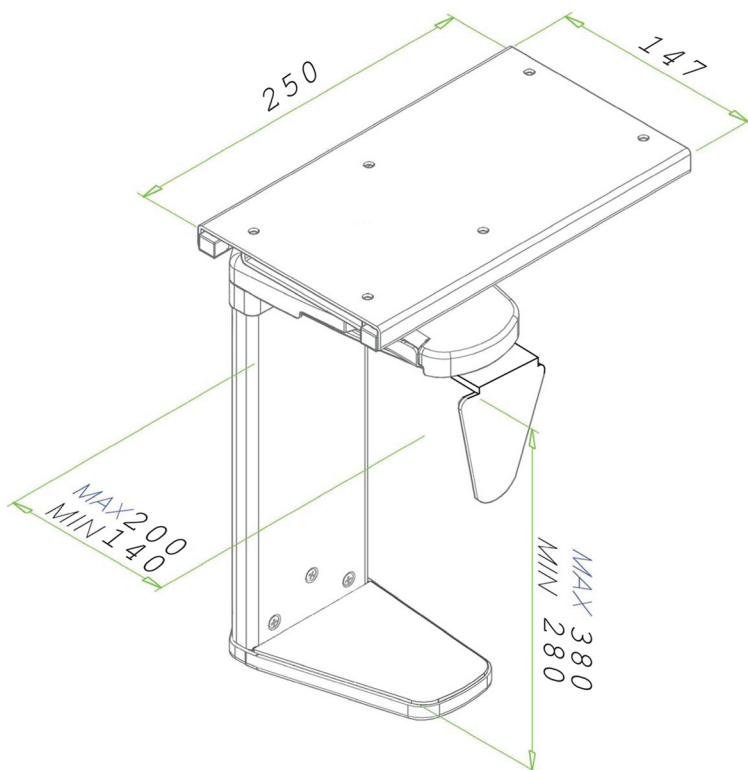


TECHNICAL SPECIFICATION

PRODUCT CODE: CS30

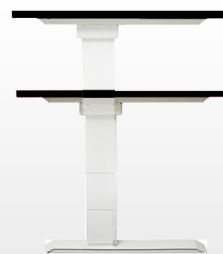
- Weight Capacity is 10kg
- Height Range 280-380mm
- Width Adjustment 90-200mm
- Colours: Silver with anodized aluminium panel
White with anodized aluminium panel
Black with anodized aluminium panel (project quantities)



ACCESSORIES



POWER



ELECTRIC SIT2STAND



MONITOR ARM



QUICKSHIFT DESK

incorporate

www.incorporatespace.com.au