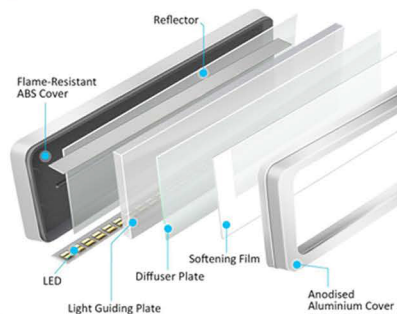
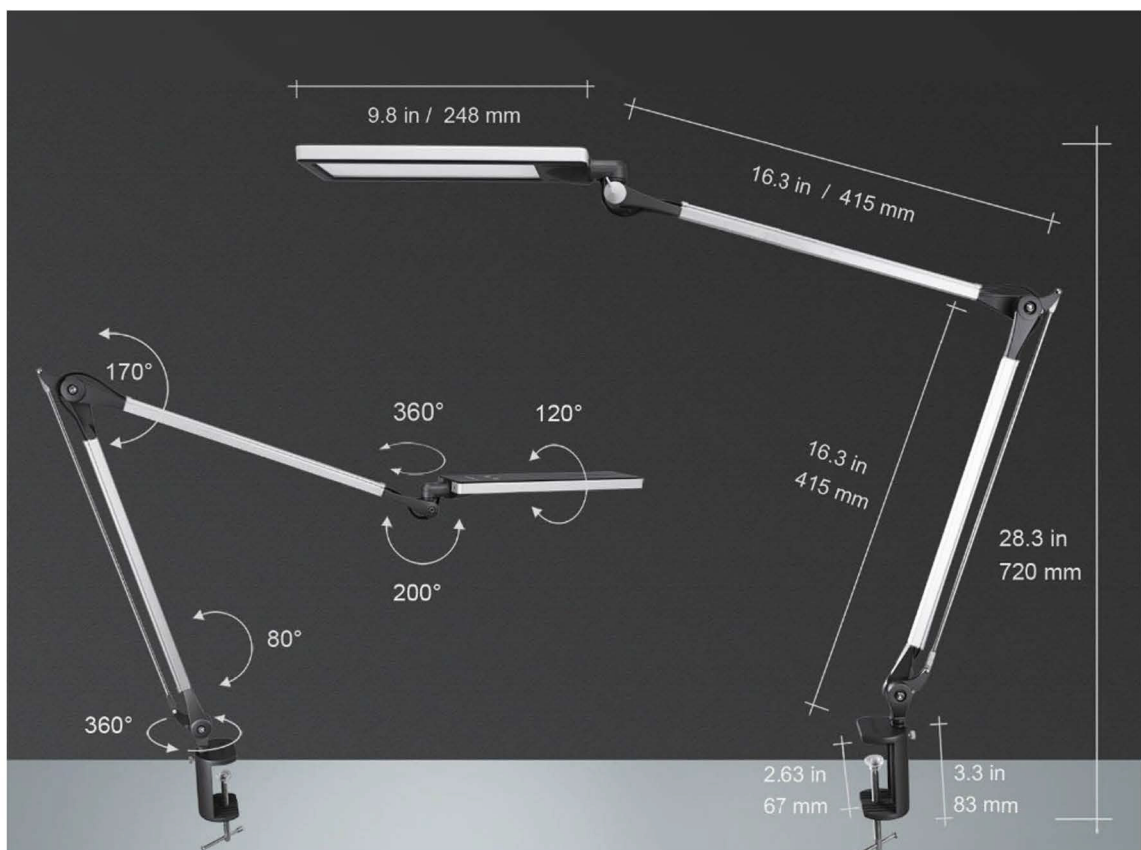


## TECHNICAL SPECIFICATION

- 50,000 Hour life, flicker free LED Lamp with no UV glare
- Touch Control Console
- 6 - Dimmer Bar from 20% - 100%
- 4 Colour Temperatures - 3200K, 4200K, 5200K, 6200K
- Memory Function remembers last user setting
- Lamp direction and built in reflector avoids direct glare
- Diffusion and Light Direction plate for even light without ghosting shadows
- Over 1 metre in reach and 750mm in height
- Tension adjustable
- 3 Year Warranty



# incorporate

[www.incorporatespace.com.au](http://www.incorporatespace.com.au)